



COMMUNITY DEVELOPMENT DEPARTMENT

Office of Code Administration

129 North Second Street, 2nd Floor Yakima, Washington 98901

(509) 575-6126 Fax (509) 576-6576

codes@yakimawa.gov www.buildingyakima.com

SAMPLING PORT APPLICATION PACKET



COMMUNITY DEVELOPMENT DEPARTMENT

Office of Code Administration

129 North Second Street, 2nd Floor Yakima, Washington 98901

(509) 575-6126 Fax (509) 576-6576

codes@yakimawa.gov www.buildingyakima.com

Pretreatment Sample Port Application

Occupancies that discharge strong waste to the City of Yakima Wastewater Treatment Plant must comply with Chapter 7.65 of the Yakima Municipal Code.

This checklist outlines the process for submitting an application for review and approval for the installation of sample ports.

- ➔ A Sample Port Application form may be submitted by the tenant, property owner and/or Contractor, however the permit can only be issued to the property owner or a licensed Contractor.
- ➔ Sewer installations must be performed by a State Licensed Contractor who is also a licensed City of Yakima licensed Side Sewer Installer.
- ➔ Please submit: 1) the completed Application form; 2) indication of which of the Sampling Manhole Standard Details will be used for the installation and 3) a utility site plan. The application will be routed to the Wastewater Pretreatment Supervisor for review. The review time period is up to 10-days.
- ➔ If you have any questions regarding the sample port location requirements, please contact the Wastewater Pretreatment Supervisor at 509-575-6077.
- ➔ If additional information is required in order to complete the review, the applicant will be contacted by the Code Administration Permit Project Coordinator and/or the Wastewater Pretreatment Supervisor.
- ➔ Once the application is approved, Lisa Maxey, Permit Project Coordinator (509-576-6669 or lisa.maxey@yakimawa.gov) will notify the applicant that the permit is ready to be issued.
- ➔ At the time the permit is issued a copy of the approved sample port plan will be given to the applicant. The approved plan must be on site at the time inspections are performed by the Office of Code Administration.
- ➔ Work performed within the City Right-of-Way, require the submittal and approval of an Excavation / Street Break Permit Application pursuant to Chapter 8.72 Yakima Municipal Code (<http://www.yakimawa.gov/services/engineering/files/StreetBreak-October720142.pdf>). If you have questions regarding this process, please contact City Engineering at 509-575-6111.
- ➔ All work performed must be inspected before backfilling. In the event the work is backfilled without the required inspection(s), the owner/applicant will be responsible for exposing the work and scheduling the required inspection(s) to ensure the installation complies with applicable codes.



COMMUNITY DEVELOPMENT DEPARTMENT

Code Administration Division

129 North Second Street, 2nd Floor Yakima, Washington 98901

(509) 575-6126 • Fax (509) 576-6576

codes@yakimawa.gov • www.buildingyakima.com

*****For Sampling Port*****

PLUMBING PERMIT APPLICATION Permit# _____

Job Address: _____ **Parcel Number:** _____

Project Description: _____

Property Owner	Contractor
Name: _____	Business Name: _____
Address: _____	Address: _____
City/State/Zip: _____	City/State/Zip: _____
E-mail: _____	E-mail: _____
Phone: _____	State Cont. Lic. #: _____ exp. _____
Alt. Phone: _____	Phone: _____

ITEM	FEE	QTY.	AMOUNT
Base Fee	\$31.82	1	\$31.82
Atmospheric Breaker	\$8.04		
Backflow Device (RPBA or DCVA) <2"	\$11.23		
Backflow Device (RPBA or DCVA) >2"	\$24.95		
Bar Sink	\$11.23		
Bathub	\$11.23		
Clothes Washer	\$11.23		
Dishwasher	\$11.23		
Drinking Fountain	\$11.23		
Floor Drain	\$11.23		
Hose Bib	\$11.23		
Kitchen Sink	\$11.23		
Kitchen Sink 3 Compartment	\$11.23		
Laundry Tray	\$11.23		
Lavatory (Basin)	\$11.23		
Miscellaneous	\$11.23		
Mop Sink	\$11.23		
Pretreatment Interceptor	\$19.07		
Repair/Alt. Drain/Vent Piping	\$11.23		
Roof Drain	\$11.23		
Sewage Pump	\$11.23		
Sewer Repair	\$21.53		
Shower	\$11.23		
Side Sewer	\$21.53		
Sink	\$11.23		
Supplemental Permits	\$16.01		
Urinal	\$11.23		
Water Closet – Tank Type	\$11.23		
Water Closet – Flushometer Type	\$11.23		
Water Heater	\$11.23		
Water Piping/Service	\$11.23		
Sampling Port	\$11.23		
TOTAL			

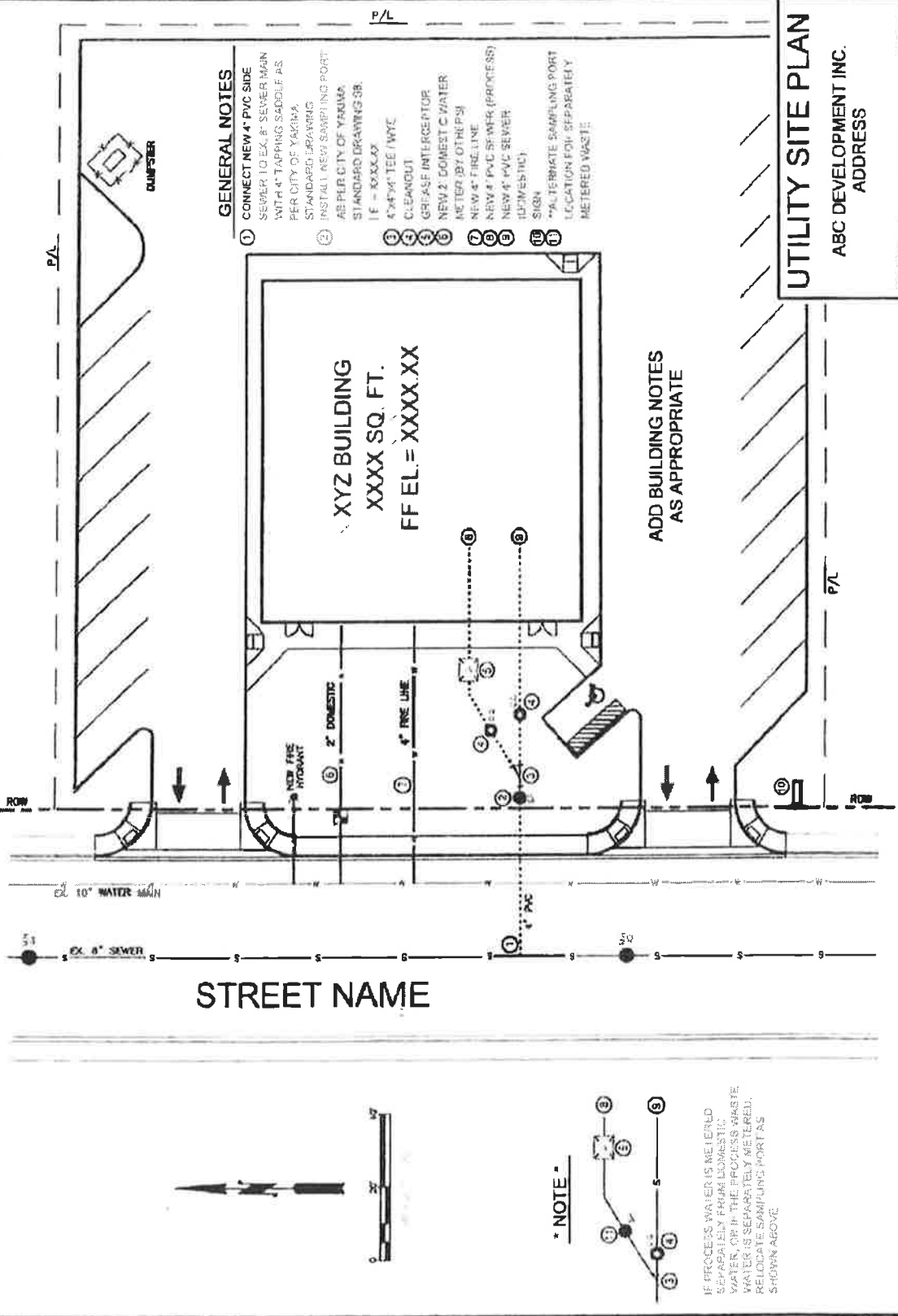
I hereby acknowledge I have read this permit application and state the above information is correct, and agree to comply with all City ordinances and State laws regulating activities covered by this permit application.

Applicant's Signature

Applicant (Print or Type)

Date

EXAMPLE (Sampling Port Location Drawing)



- GENERAL NOTES**
- 1 CONNECT NEW 4" PVC SIDE SEWER TO EX. 6" SEWER MAIN WITH 4" TAPPING SADDLE AS PER CITY OF YAKIMA STANDARD DRAWING. INSTALL NEW SAMPLING PORT AS PER CITY OF YAKIMA STANDARD DRAWING SB.
 - 2 4"x4" TEE W/VE IF = XXXXX
 - 3 CLEANOUT
 - 4 GREASE INTERCEPTOR
 - 5 NEW 2" DOMESTIC WATER METER BY OTHER PSJ
 - 6 NEW 4" FIRE LINE
 - 7 NEW 4" PVC S/WFR (PROCESS)
 - 8 NEW 4" PVC SEWER (DOMESTIC)
 - 9 SIGN
 - 10 **ALTERNATE SAMPLING PORT LOCATION FOR SEPARATELY METERED WASTE
 - 11
 - 12
 - 13

XYZ BUILDING
 XXXX SQ. FT.
 FF EL. = XXXX.XX

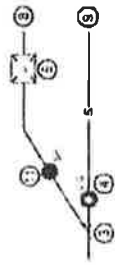
ADD BUILDING NOTES
 AS APPROPRIATE

UTILITY SITE PLAN
 ABC DEVELOPMENT INC.
 ADDRESS

DRAWN BY: _____ DATE _____ PAGE # _____



*** NOTE ***

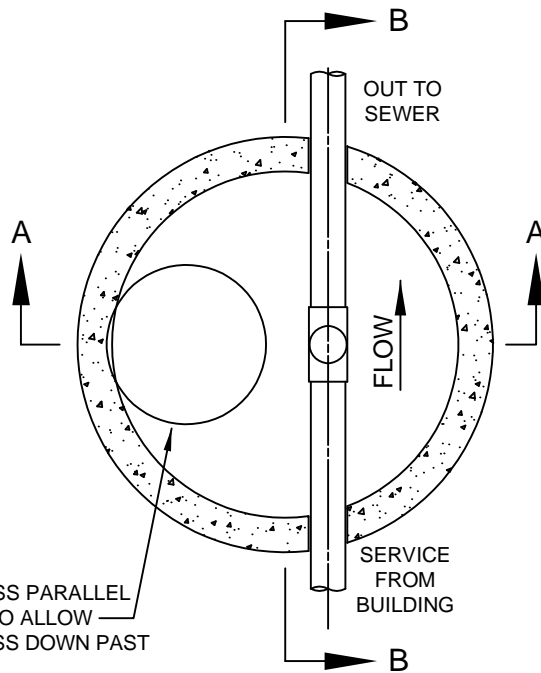


IF PROCESS WATER IS METERED SEPARATELY FROM DOMESTIC WATER, OR IF THE PROCESS WASTE WATER IS SEPARATELY METERED, RELOCATE SAMPLING PORT AS SHOWN ABOVE.

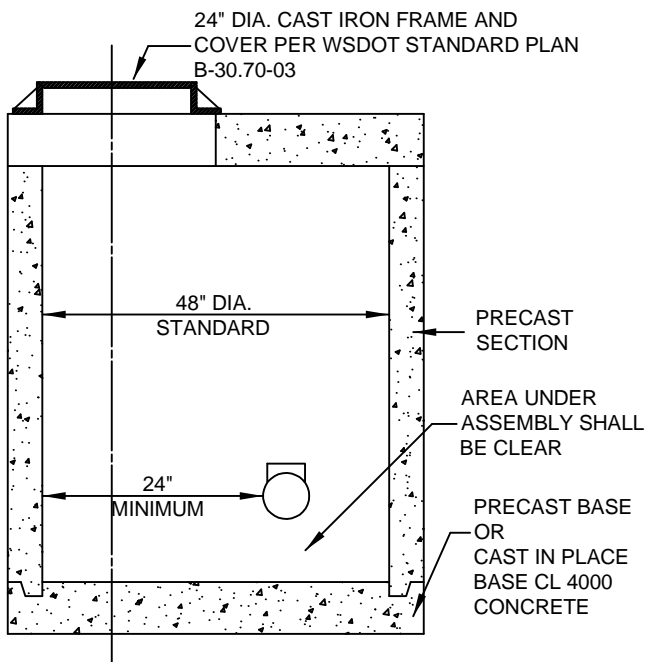
NOTES

1. MANHOLES SHALL BE STANDARD REINFORCED CONCRETE SECTIONS 48" I.D. x 4'-0". IF MORE THAN ONE SECTION IS USED, INSTALL RAMNEK AT JOINTS.
2. INSTALL RAMNEK SEAL UNDER COVER FRAME ENTIRELY AROUND MANHOLE.
3. SAMPLING PORT IS TO BE LOCATED IN A LOCATION WHERE IT CAN BE ACCESSED AT ANY TIME. LOCATION AS APPROVED BY CITY ENGINEER
4. NO OTHER APPARATUS SHALL BE INSTALLED IN THE SAMPLING PORT MANHOLE.
5. SAMPLING PORT MANHOLE LID SHALL NOT BE OF A BOLT DOWN TYPE BUT SHALL BE CAST IRON ONLY AS APPROVED BY THE CITY ENGINEER.

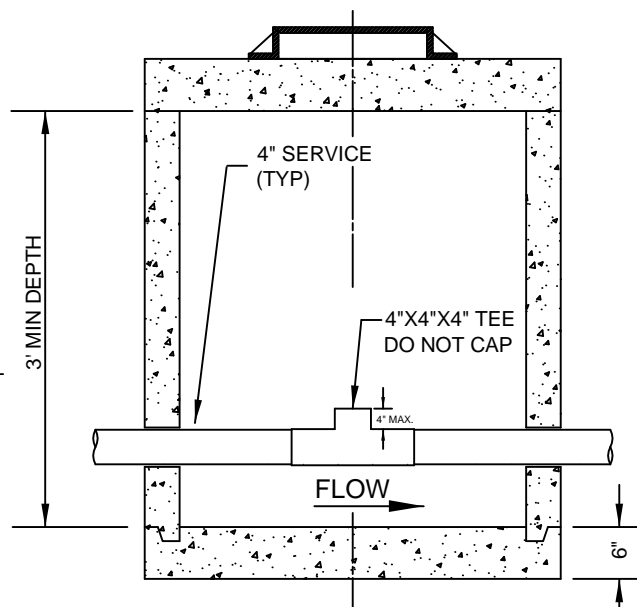
PLACE MANHOLE ACCESS PARALLEL TO THE SERVICE PIPE TO ALLOW SAMPLER CLEAR ACCESS DOWN PAST THE SERVICE.



PLAN VIEW



SECTION A-A



SECTION B-B



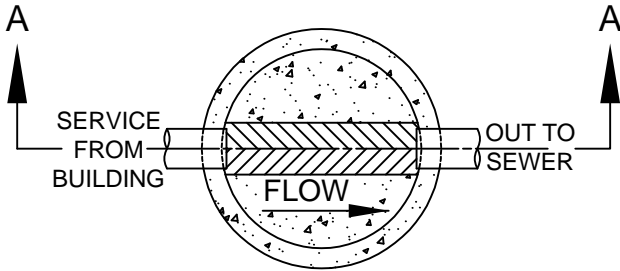
**City Of Yakima
Engineering Division**

129 North Second Street
Yakima, Washington

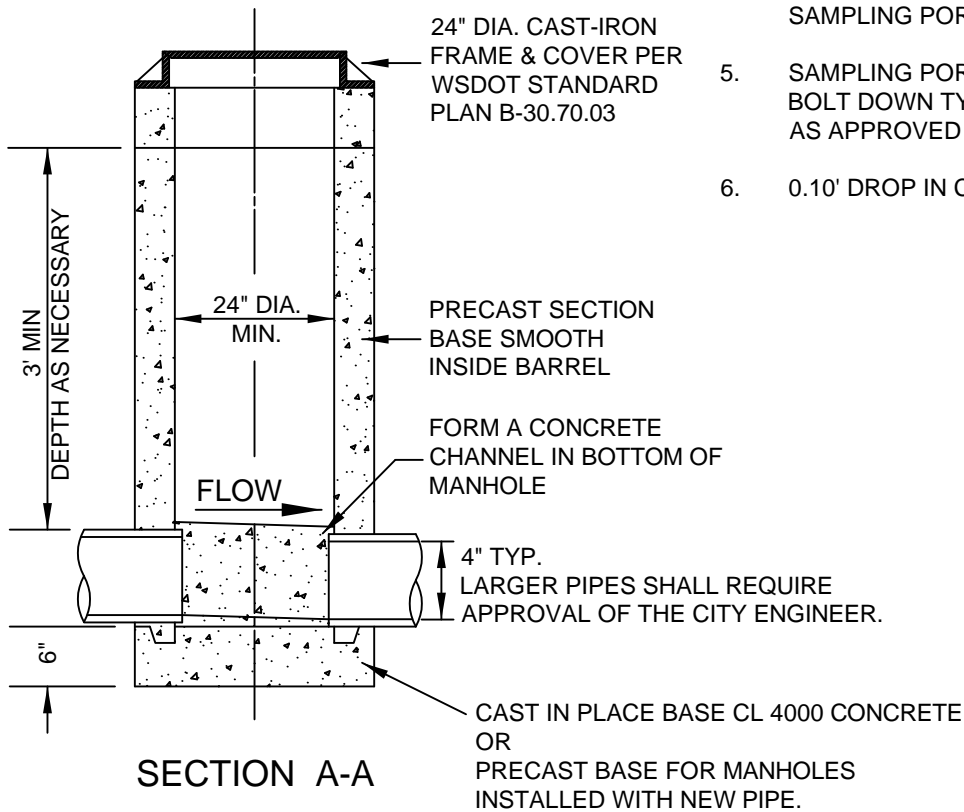
City of Yakima - Standard Detail

SHALLOW SAMPLING MANHOLE S9

NOT TO SCALE
Revision 6-2017



PLAN VIEW



NOTES

1. MANHOLES SHALL BE STANDARD REINFORCED CONCRETE SECTIONS 24" I.D. x 4'-0". IF MORE THAN ONE SECTION IS USED, INSTALL RAMNEK AT JOINTS.
2. INSTALL RAMNEK SEAL UNDER COVER FRAME ENTIRELY AROUND MANHOLE.
3. SAMPLING PORT IS TO BE LOCATED WHERE IT CAN BE ACCESSED AT ANY TIME. LOCATION AS APPROVED BY THE CITY ENGINEER.
4. NO OTHER APPARATUS SHALL BE INSTALLED IN THE SAMPLING PORT MANHOLE.
5. SAMPLING PORT MANHOLE LID SHALL NOT BE OF A BOLT DOWN TYPE BUT MAY BE CAST IRON OR AS APPROVED BY THE CITY ENGINEER.
6. 0.10' DROP IN CHANNELS ACROSS MANHOLE



City Of Yakima
Engineering Division

129 North Second Street
Yakima, Washington

City of Yakima - Standard Detail
SAMPLING MANHOLE

NOT TO SCALE
Revision 6 - 2017