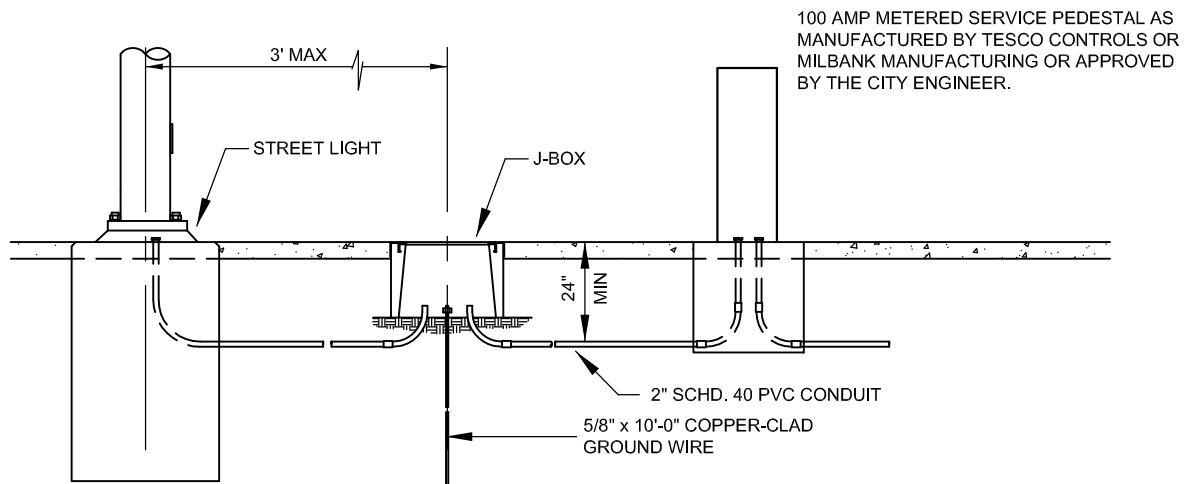


PLAN VIEW



100 AMP METERED SERVICE PEDESTAL AS MANUFACTURED BY TESCO CONTROLS OR MILBANK MANUFACTURING OR APPROVED BY THE CITY ENGINEER.

SECTION A

NOTE:

1. ALL WORK AND MATERIALS SHALL CONFORM TO THE NATIONAL ELECTRICAL CODE (NEC).
2. JUNCTION BOX, CONDUIT AND CONSTRUCTION METHODS SHALL BE PER WSDOT - TYPE 1 UNLESS OTHERWISE SPECIFIED AND APPROVED BY THE CITY ENGINEER.
3. ALL ELECTRICAL CONDUIT SHALL BE A MINIMUM OF 2" DIA. AND MAINTAIN 24" MINIMUM COVER. SWEEPS AND PLAN LOCATION SHALL BE PER POWER COMPANY AND SHALL BE DETAILED ON THE PLANS PRIOR TO APPROVAL.
4. ALL SERVICE CONNECTIONS WHETHER INDIVIDUAL OR MULTIPLE POLES SHALL BE PEDESTAL MOUNT ONLY. SERVICE CONNECTIONS SHALL NOT BE ALLOWED TO BE ATTACHED TO THE POLE.
5. SERVICE PEDESTALS SHALL BE METERED.



City Of Yakima
Engineering Division

129 North Second Street
Yakima, Washington

City of Yakima - Standard Detail

SERVICE LAYOUT

NOT TO SCALE
Revision 7-2011

E4