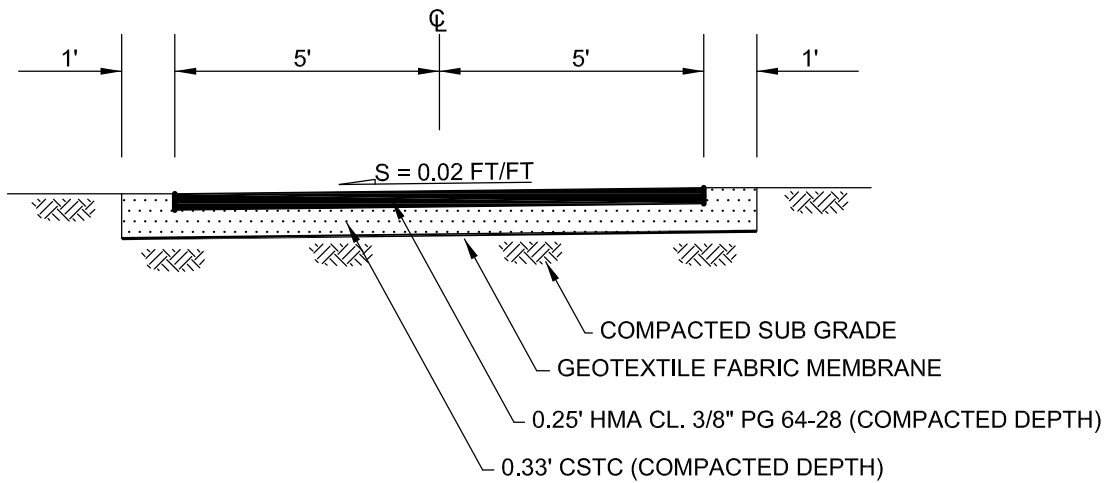


20' ALLEY SECTION



PEDESTRIAN PATHWAY SECTION



City Of Yakima
Engineering Division

129 North Second Street
Yakima, Washington

City of Yakima - Standard Detail

MISCELLANEOUS SECTIONS

R2

NOT TO SCALE
Revision 5-2011