

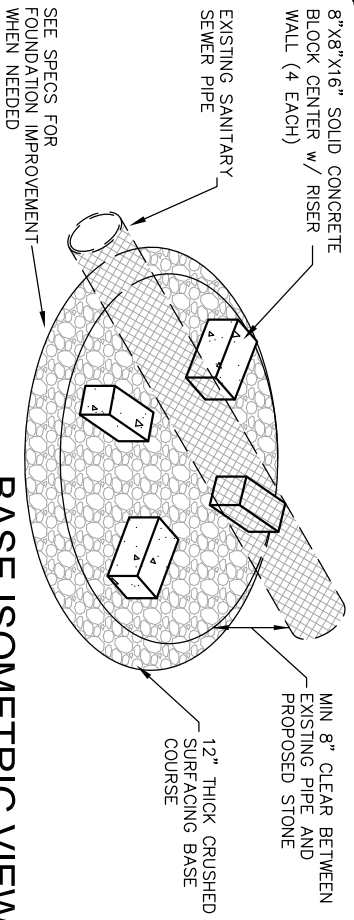


PRECAST "DOGHOUSE" MANHOLE

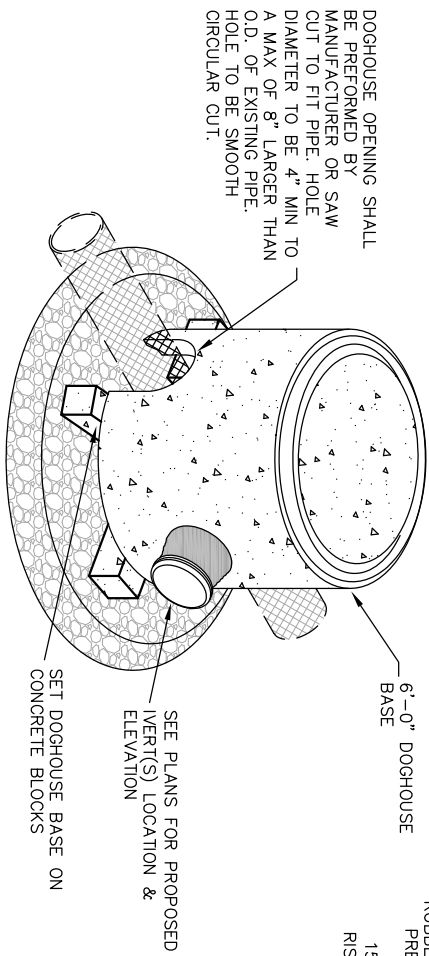
S10

City of Yakima - Standard Detail

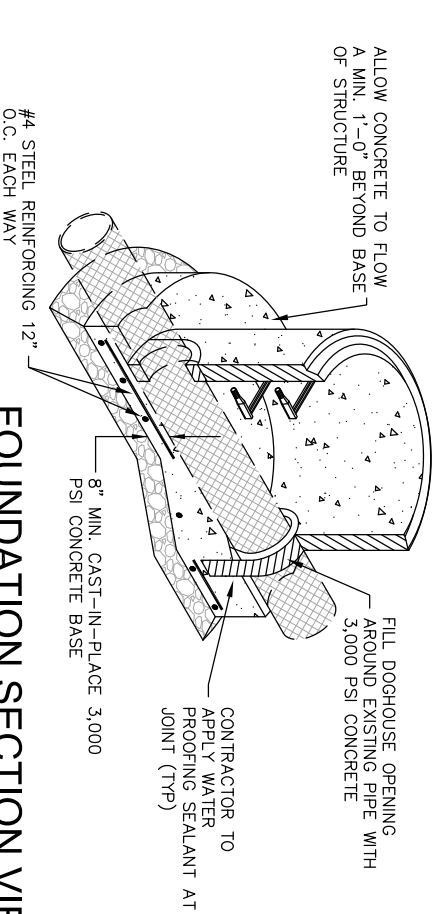
NOT TO SCALE
Revision 02-2012



BASE ISOMETRIC VIEW



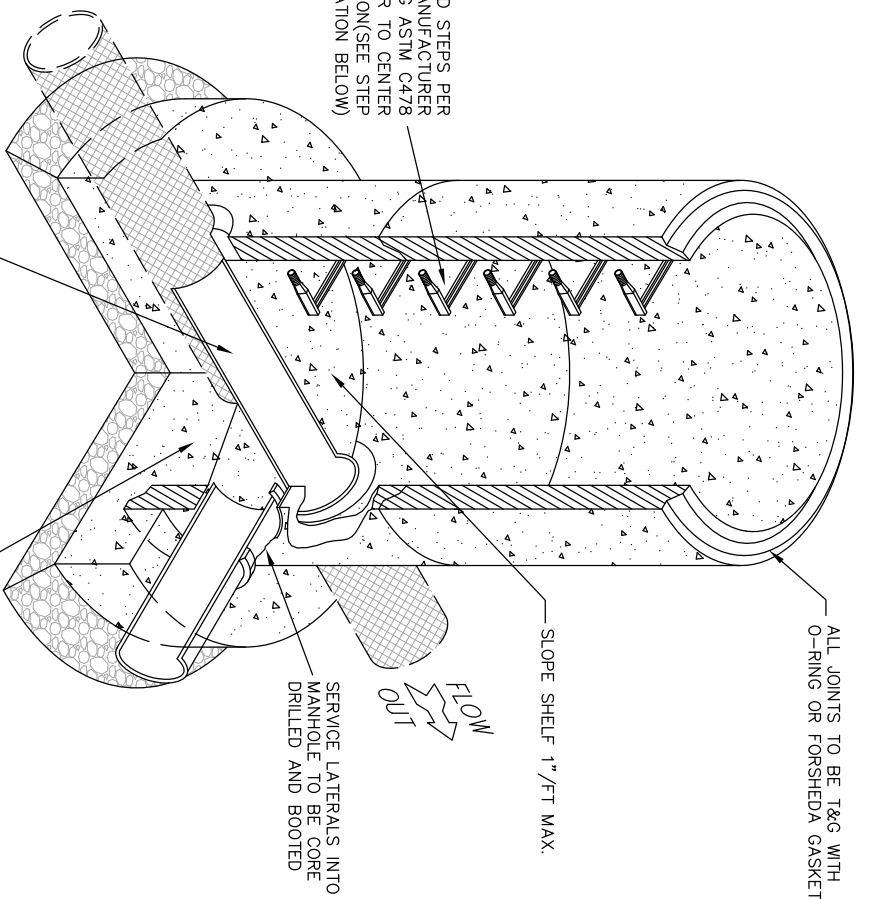
RISER ISOMETRIC VIEW



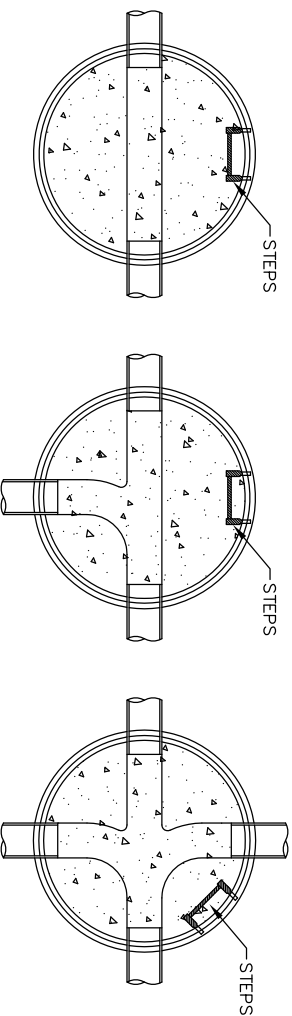
FOUNDATION SECTION VIEW

RUBBER COATED STEPS PER PRECAST MANUFACTURER MEETING ASTM C478 15" CENTER TO CENTER RISER SECTION(SEE STEP ORIENTATION BELOW)

CUT AND REMOVE TOP HALF OF PIPE AFTER INVERT AND SHELF HAVE BEEN FORMED



INVERT SECTION VIEW



STEP ORIENTATION