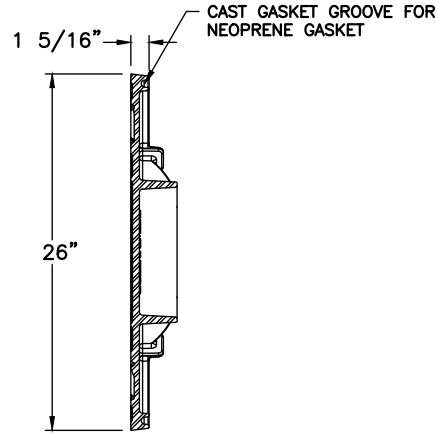
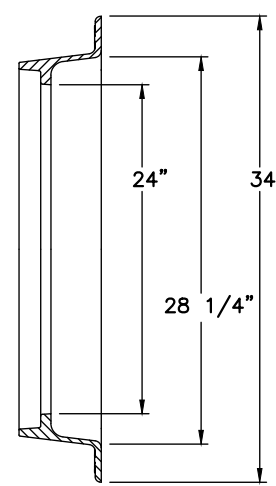


PLAN VIEW



COVER SECTION B-B



FRAME SECTION B-B

Manufactured by:  
EJ Iron Works

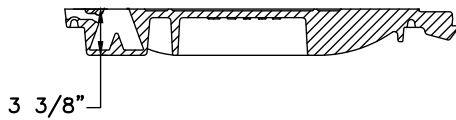
Product No:  
00370500L01

Materials:  
Cover: Ductile Iron (80-55-06)  
Frame: Gray Iron (CL35B)

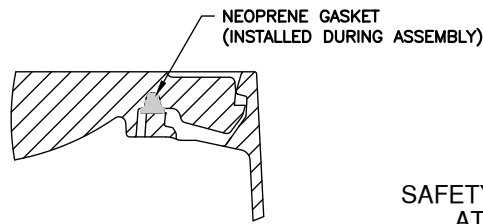
Certification:  
ASTM A48  
Country of Origin: USA

Major Components:  
LC00370500  
LF240603401

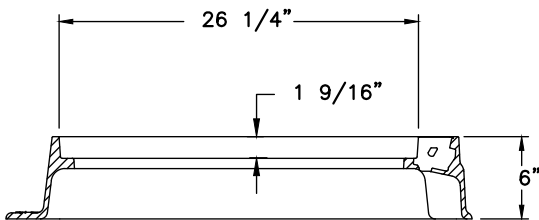
More Information:  
(800) 626-4653  
ejco.com



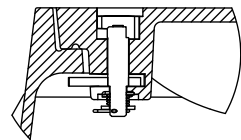
COVER SECTION A-A



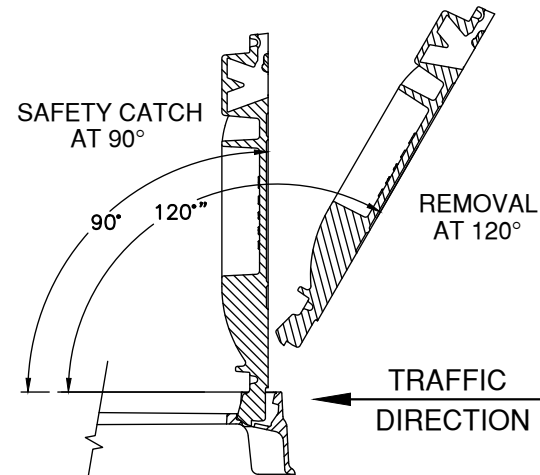
HINGE & GASKET VIEW



FRAME SECTION A-A



LOCKING VIEW



HINGE POSITIONS



City of Yakima  
Engineering Division

129 North Second Street  
Yakima, Washington

City of Yakima - Standard Detail

# STORM MANHOLE FRAME & COVER

NOT TO SCALE  
Revision 02-2014

D1