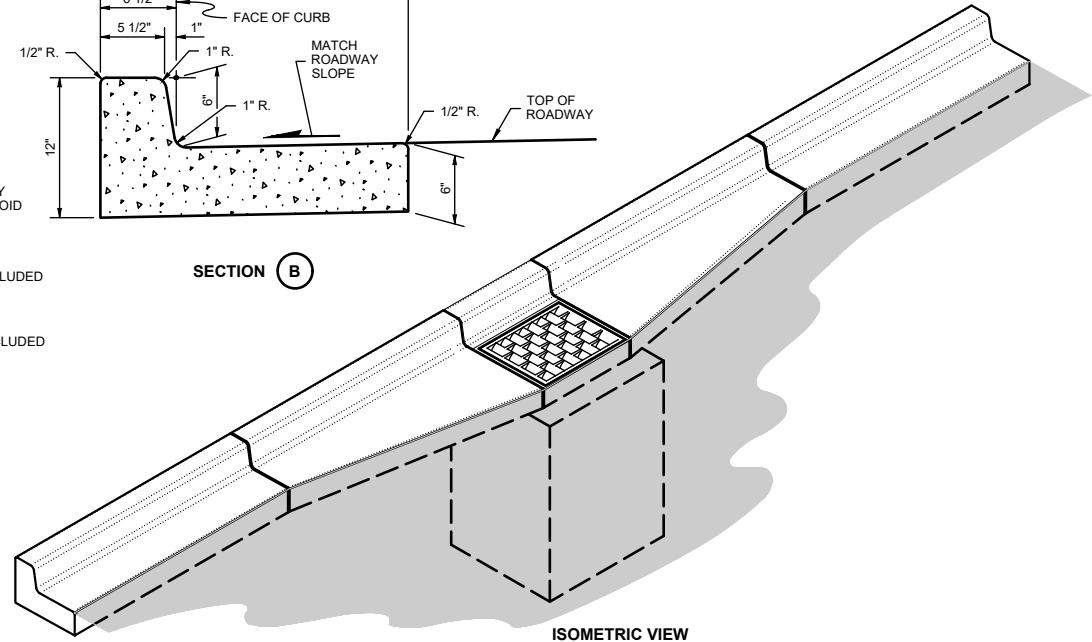
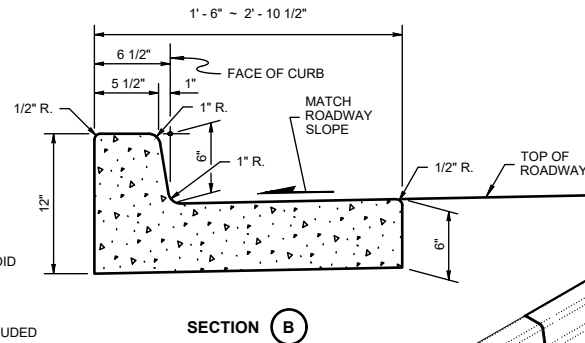
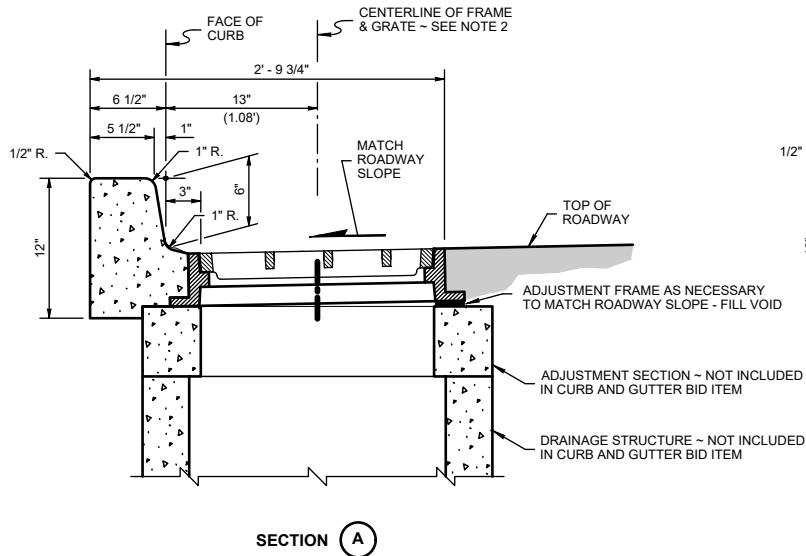


CATCH BASIN GUTTER PAN



City Of Yakima
Engineering Division

129 North Second Street
Yakima, Washington

City of Yakima - Standard Detail
CEMENT CONCRETE CURB & GUTTER PAN

D2

NOT TO SCALE
Revision 10-2024