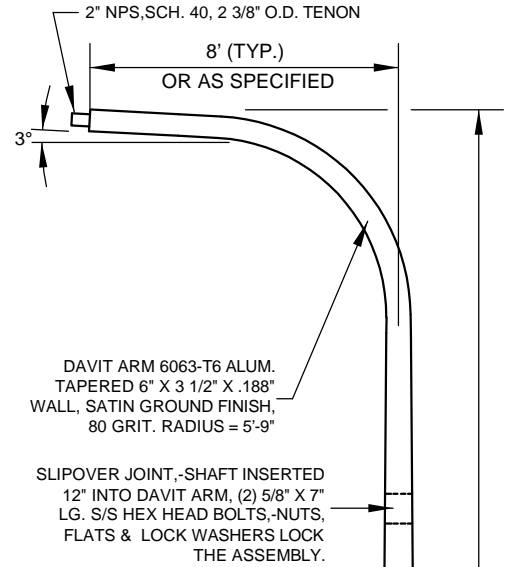


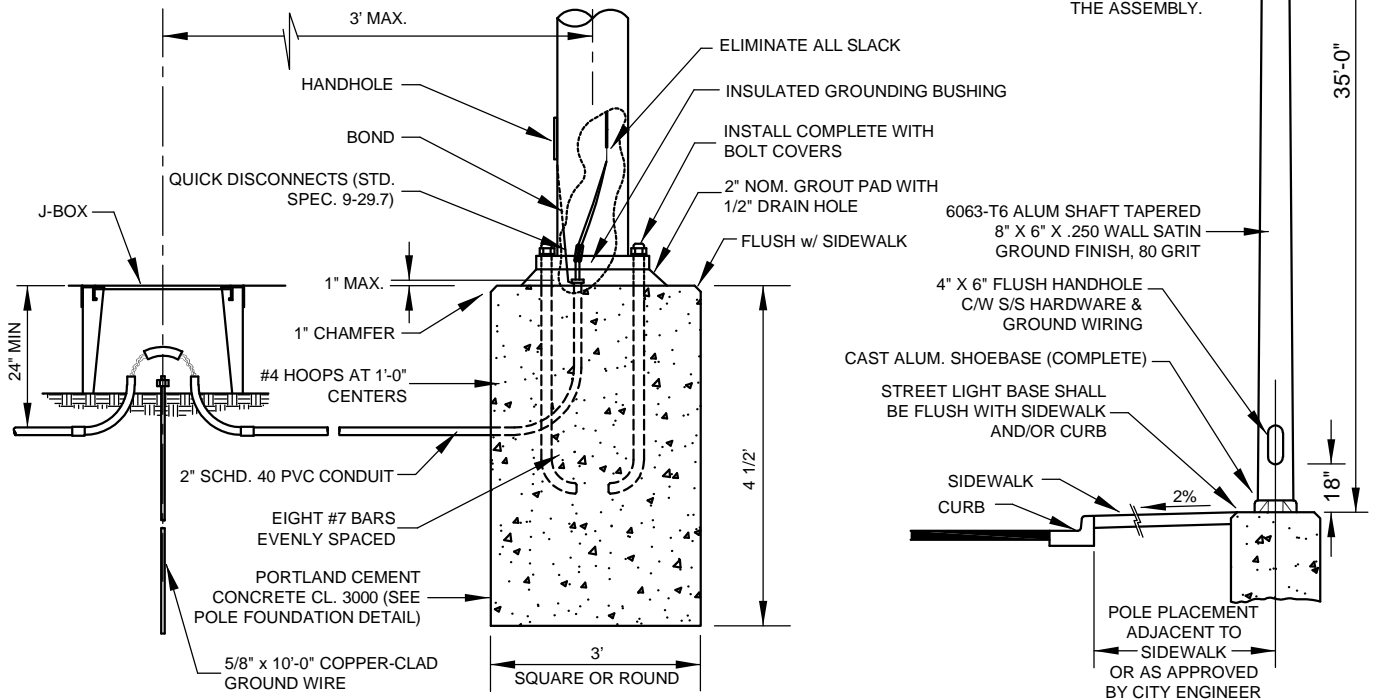
** PHOTOCELL: RIPLEY R18545
SEE NOTE 7



RESIDENTIAL LUMINAIRE
AEL AUTOBAHN SERIES LED STREET LIGHT, HORIZONTAL TENON - TYPE III, 40W - ADJ. DRIVER - FUSED

MID RANGE LUMINAIRE
AEL AUTOBAHN SERIES LED STREET LIGHT, HORIZONTAL TENON - TYPE III, 81W - ADJ. DRIVER

ARTERIAL LUMINAIRE
AEL AUTOBAHN SERIES LED STREET LIGHT, HORIZONTAL TENON - TYPE III, 115W - ADJ. DRIVER



NOTE:

1. ALL WORK AND MATERIALS SHALL CONFORM TO THE NATIONAL ELECTRICAL CODE (NEC).
2. JUNCTION BOX, CONDUIT AND CONSTRUCTION METHODS SHALL BE PER WSDOT - TYPE 1 UNLESS OTHERWISE SPECIFIED AND APPROVED BY THE CITY ENGINEER.
3. ALL ELECTRICAL CONDUIT SHALL BE A MINIMUM OF 2" DIAM. AND MAINTAIN 24" MINIMUM COVER. SWEEPS AND PLAN LOCATION SHALL BE PER POWER COMPANY AND SHALL BE DETAILED ON THE PLANS PRIOR TO APPROVAL.
4. ALL SERVICE CONNECTIONS WHETHER INDIVIDUAL OR MULTIPLE POLES SHALL BE PEDESTAL MOUNT ONLY. SERVICE CONNECTIONS SHALL NOT BE ALLOWED TO BE ATTACHED TO THE POLE.
5. SERVICE PEDESTALS SHALL BE METERED.
6. LUMINAIRE SHALL BE LEVELED IN BOTH DIRECTIONS AFTER POLE IS PLUMBED.
7. PHOTOCELL REQUIRED ON ALL FIXTURES UNLESS PART OF A PHOTOCELL CONTROLLED CIRCUIT.
8. EACH FIXTURE TO HAVE ONBOARD ADJUSTABLE OUTPUT MODULE.



City Of Yakima
Engineering Division

129 North Second Street
Yakima, Washington

City of Yakima - Standard Detail

STREET LIGHT

NOT TO SCALE
Revision 6-2017

E1