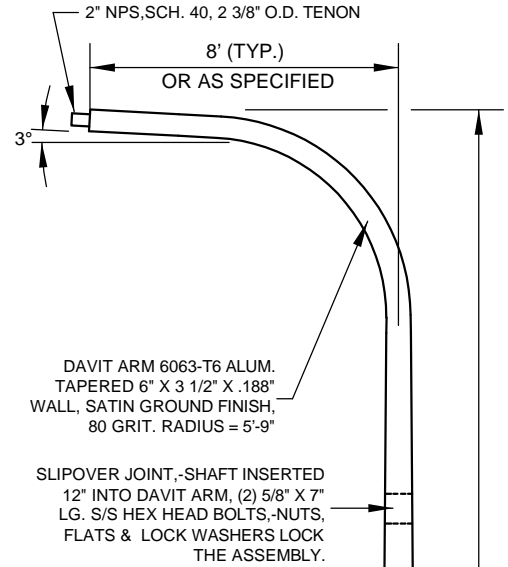


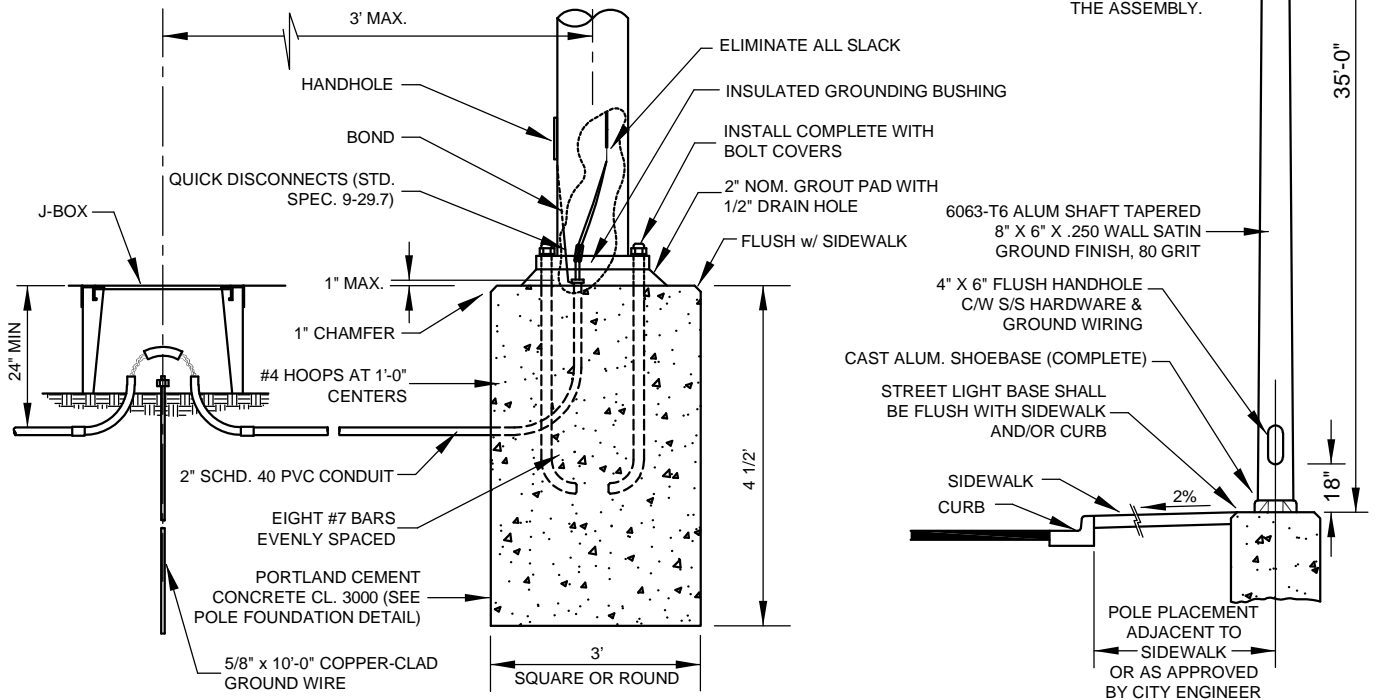
\*\* PHOTOCCELL: RIPLEY RI8545  
SEE NOTE 7



**RESIDENTIAL LUMINAIRE**  
AEL AUTOBAHN SERIES LED STREET LIGHT, HORIZONTAL TENON - TYPE III, 40W - ADJ. DRIVER - FUSED

**MID RANGE LUMINAIRE**  
AEL AUTOBAHN SERIES LED STREET LIGHT, HORIZONTAL TENON - TYPE III, 81W - ADJ. DRIVER

**ARTERIAL LUMINAIRE**  
AEL AUTOBAHN SERIES LED STREET LIGHT, HORIZONTAL TENON - TYPE III, 115W - ADJ. DRIVER



**NOTE:**

1. ALL WORK AND MATERIALS SHALL CONFORM TO THE NATIONAL ELECTRICAL CODE (NEC). INSURE LUMINAIRE HEAD IS ATTACHED TO GROUNDING ROD, PER NEC.
2. JUNCTION BOX, CONDUIT AND CONSTRUCTION METHODS SHALL BE PER WSDOT - TYPE 1 UNLESS OTHERWISE SPECIFIED AND APPROVED BY THE CITY ENGINEER.
3. ALL ELECTRICAL CONDUIT SHALL BE A MINIMUM OF 2" DIAM. AND MAINTAIN 24" MINIMUM COVER. SWEEPS AND PLAN LOCATION SHALL BE PER POWER COMPANY AND SHALL BE DETAILED ON THE PLANS PRIOR TO APPROVAL.
4. ALL SERVICE CONNECTIONS WHETHER INDIVIDUAL OR MULTIPLE POLES SHALL BE PEDESTAL MOUNT ONLY. SERVICE CONNECTIONS SHALL NOT BE ALLOWED TO BE ATTACHED TO THE POLE.
5. SERVICE PEDESTALS SHALL BE METERED.
6. LUMINAIRE SHALL BE LEVELED IN BOTH DIRECTIONS AFTER POLE IS PLUMBED.
7. PHOTOCCELL REQUIRED ON ALL FIXTURES UNLESS PART OF A PHOTOCCELL CONTROLLED CIRCUIT.
8. EACH FIXTURE TO HAVE ONBOARD ADJUSTABLE OUTPUT MODULE.



**City Of Yakima**  
**Engineering Division**

129 North Second Street  
Yakima, Washington

City of Yakima - Standard Detail

**STREET LIGHT**

NOT TO SCALE  
Revision 1-2018

**E1**