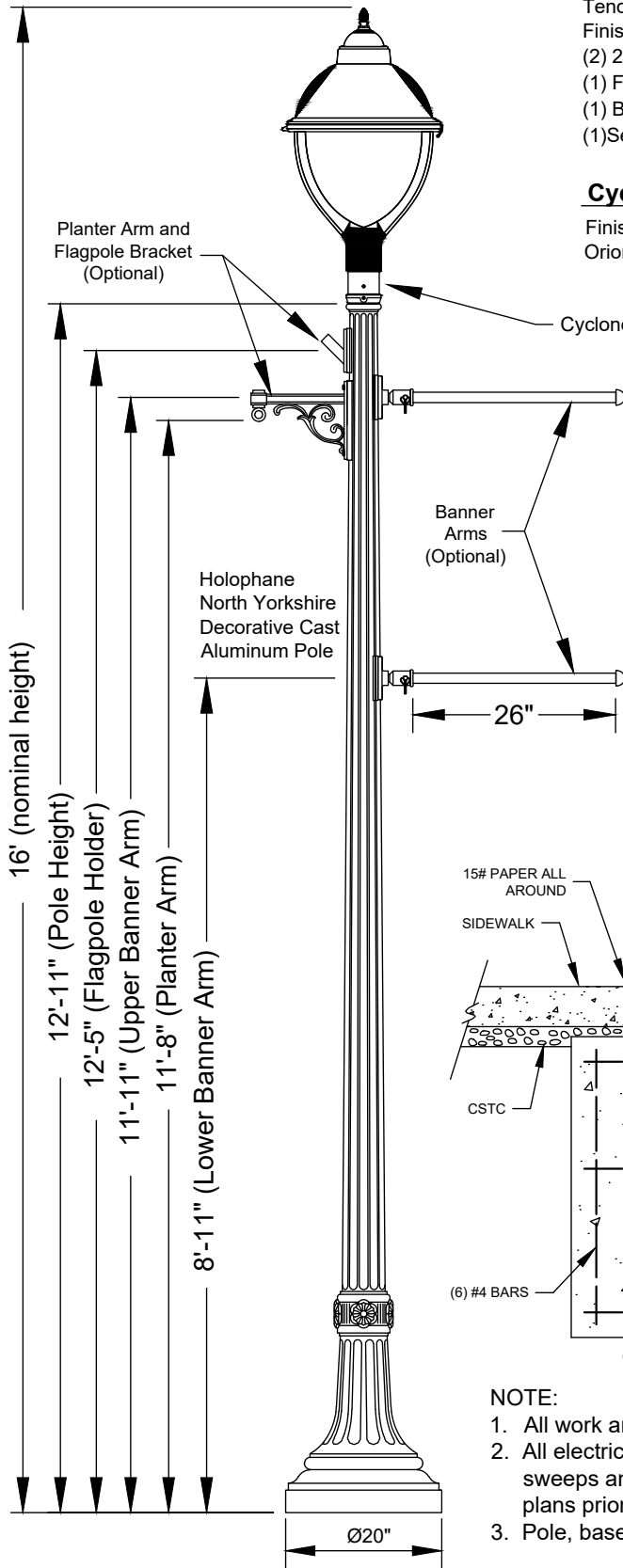


North Yorkshire Series Pole

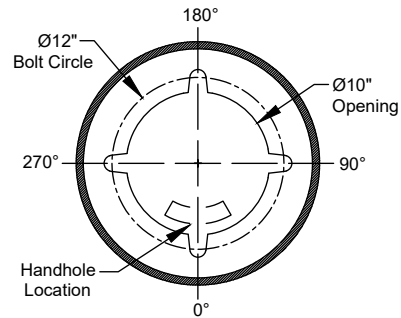
Aluminum, Fluted Tapered FTJ Shaft
 Tenon: 03"x4"
 Finish: Holophane Black
 (2) 26" Long Banner arm, 1" Dia Pipe, Half Spher Finia
 (1) Flag Pole Holder
 (1) Bolt-On Planter Arm w/ Irrigation Provision
 (1) Set 3/4"x18 Anchor Bolts

Cyclone VillaMaria Fixture

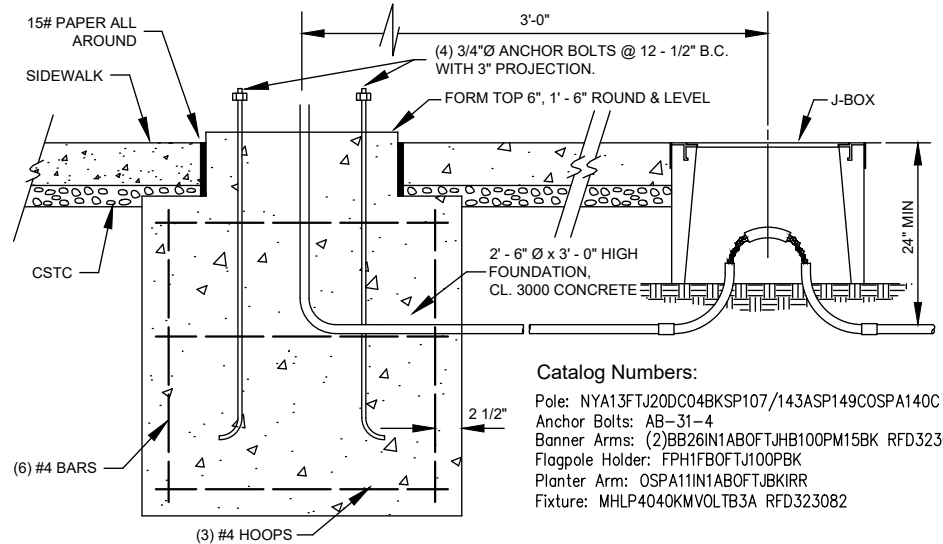
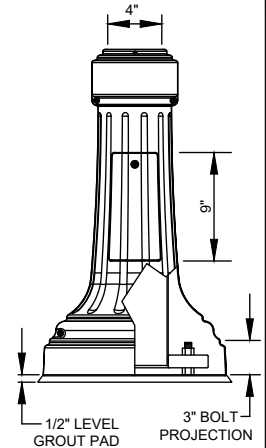
Finish: Black
 Orion LED optical module



Anchorage Detail



DO NOT USE TO SET ANCHOR BOLTS
 CONTACT HOLOPHANE FOR TEMPLATE



Catalog Numbers:

Pole: NYA13FTJ20DC04BKSP107/143ASP149C0SPA140C
 Anchor Bolts: AB-31-4
 Banner Arms: (2)BB26IN1ABOFTJHB100PM15BK RFD323081
 Flagpole Holder: FPH1FBOFTJ100PBK
 Planter Arm: OSPA11IN1ABOFTJBKIRR
 Fixture: MHLPA404KMOVLTB3A RFD323082

NOTE:

1. All work and materials shall conform to the National Electrical Code (NEC).
2. All electrical conduit shall be a minimum of 2" dia. and maintain 24" minimum cover. sweeps and plan location shall be per power company and shall be detailed on the plans prior to approval.
3. Pole, base, and light fixture as manufactured by Holophane company.

Y:\Shared\City Standard Details\E2 - 2026.dwg, 5/7/2026 9:19:05 AM



City of Yakima
 Engineering Division

129 North Second Street
 Yakima, Washington

City of Yakima - Standard Detail
PEDESTRIAN LIGHT

NOT TO SCALE
 Revision 5-2026

E2