

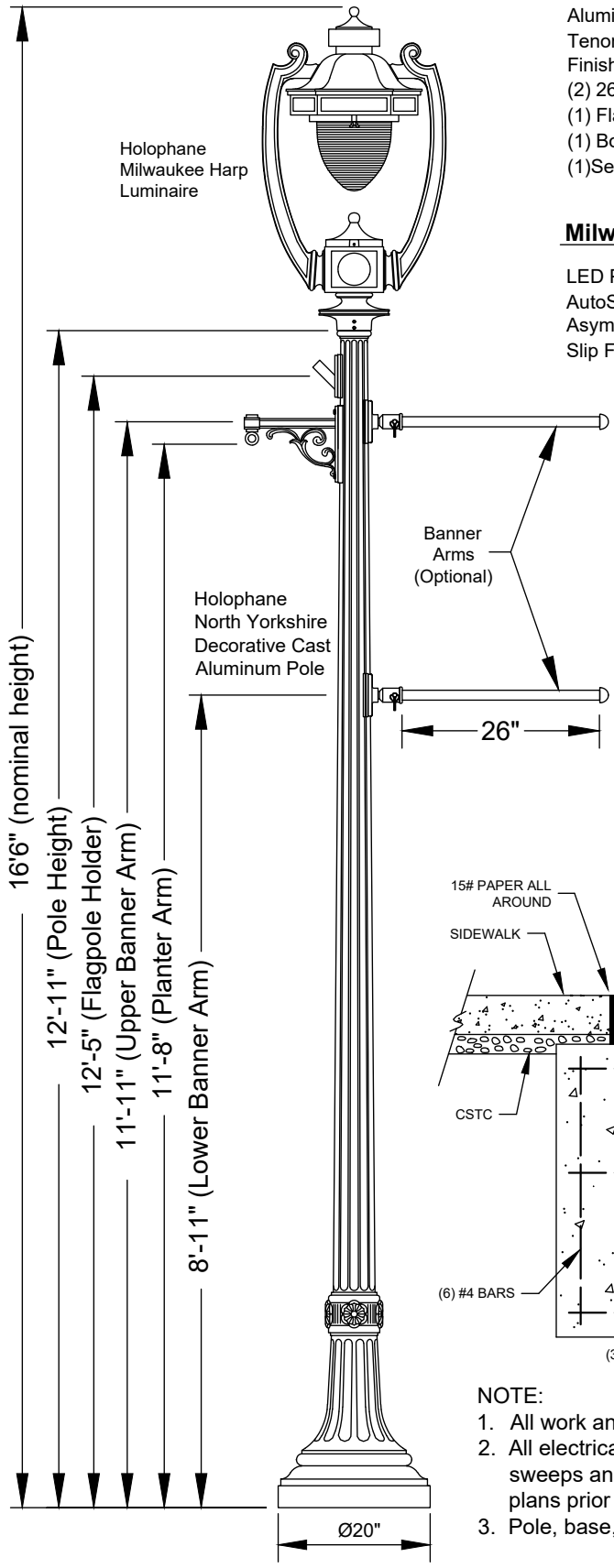
Y:\Shared\City of Yakima Eng Projects\XXXX BOA 2nd & Sgt Pendleton\_Sidewalk\Design\New Ped Lt Detail.dwg, 6/7/2024, 3:24:28 PM

**North Yorkshire Series Pole**

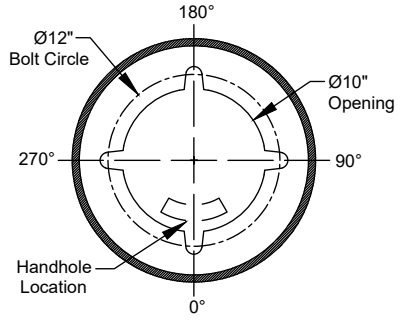
Aluminum, Fluted Tapered FTJ Shaft  
 Tenon: 03"x4"  
 Finish: Holophane Black  
 (2) 26" Long Banner arm, 1" Dia Pipe, Half Spher Finia  
 (1) Flag Pole Holder  
 (1) Bolt-On Planter Arm w/ Irrigation Provision  
 (1) Set 3/4"x18 Anchor Bolts

**Milwaukee Harp LED Fixture**

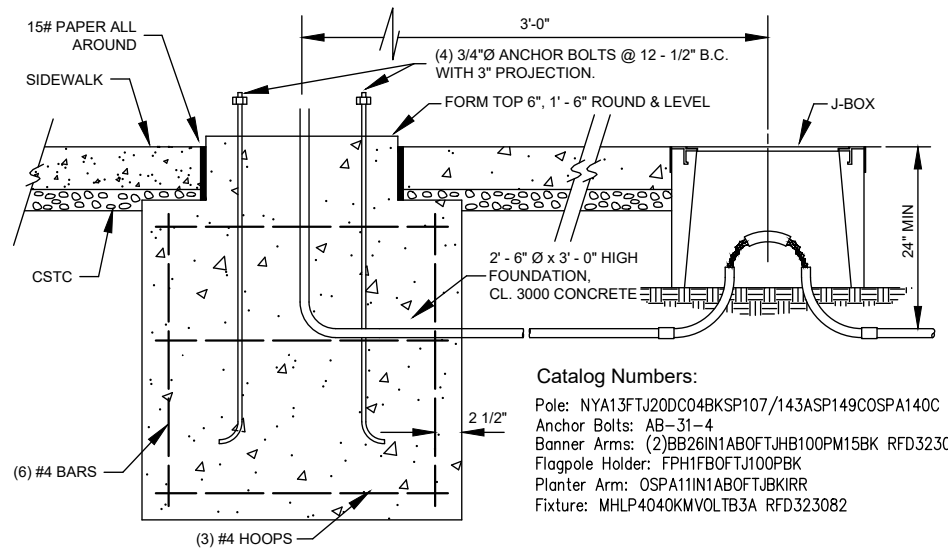
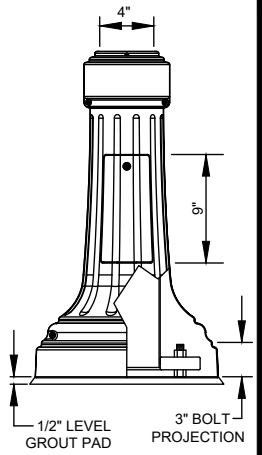
LED Performance Pkg P40, 4000 Series CCT  
 AutoSensing Voltage (120-277), Black finish  
 Asymmetric Bowl Optic Type 3 Perpendicular to Harp  
 Slip Fitter for 3"x4" Tall Tenon



**Anchorage Detail**



DO NOT USE TO SET ANCHOR BOLTS  
 CONTACT HOLOPHANE FOR TEMPLATE



**Catalog Numbers:**  
 Pole: NYA13FTJ20DC04BKSP107/143ASP149C0SPA140C  
 Anchor Bolts: AB-31-4  
 Banner Arms: (2)BB26IN1ABOFTJHB100PM15BK RFD323081  
 Flagpole Holder: FPH1FBOFTJ100PBK  
 Planter Arm: OSPA11IN1ABOFTJBKIRR  
 Fixture: MHLP4040KMOVLTB3A RFD323082

- NOTE:**
1. All work and materials shall conform to the National Electrical Code (NEC).
  2. All electrical conduit shall be a minimum of 2" dia. and maintain 24" minimum cover. sweeps and plan location shall be per power company and shall be detailed on the plans prior to approval.
  3. Pole, base, and light fixture as manufactured by Holophane company.



**City of Yakima**  
 Engineering Division  
 129 North Second Street  
 Yakima, Washington

City of Yakima - Standard Detail  
**PEDESTRIAN LIGHT**  
 NOT TO SCALE  
 Revision 6-2024

**E2**