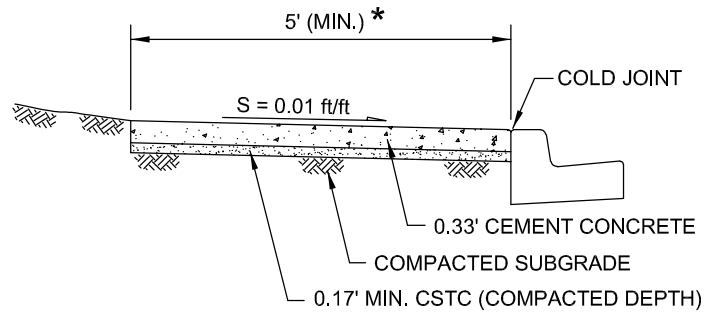
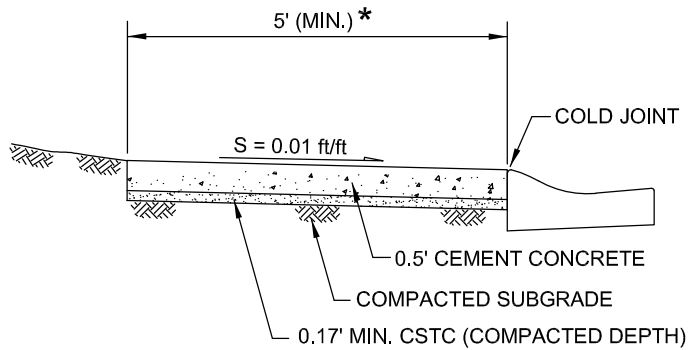


SIDEWALK JOINTING



4" STANDARD SECTION



6" SIDEWALK SECTION

- * MINIMUM SIDEWALK WIDTHS PER CITY CODE:
- A. RESIDENTIAL STREET - 5 FEET
 - B. ARTERIAL & COLLECTOR STREETS - 7 FEET
 - C. CENTRAL BUSINESS DISTRICT STREETS - 12 FEET

NOTES

1. THROUGH JOINTS WITH 3/8" JOINT MATERIAL SHALL BE PLACED AT 20' INTERVALS OR MATCH EXISTING CURB JOINTS.
2. 1 1/2" DEEP DUMMY JOINTS SHALL BE SCORED INTO THE CONCRETE AT ALTERNATING 10' INTERVALS.
3. "V" GROOVES SHALL BE PLACED AT 5' INTERVALS.
4. ALL JOINTS, "V" GROOVES, AND EDGES SHALL BE FINISHED WITH AN EDGER HAVING A 1/4" RADIUS.
5. SEE PLANS FOR WIDTH AND POSITION OF SIDEWALK.
6. WSDOT CLASS 3000 CONCRETE WITH COARSE AGGREGATE GRADING NO. 5.

