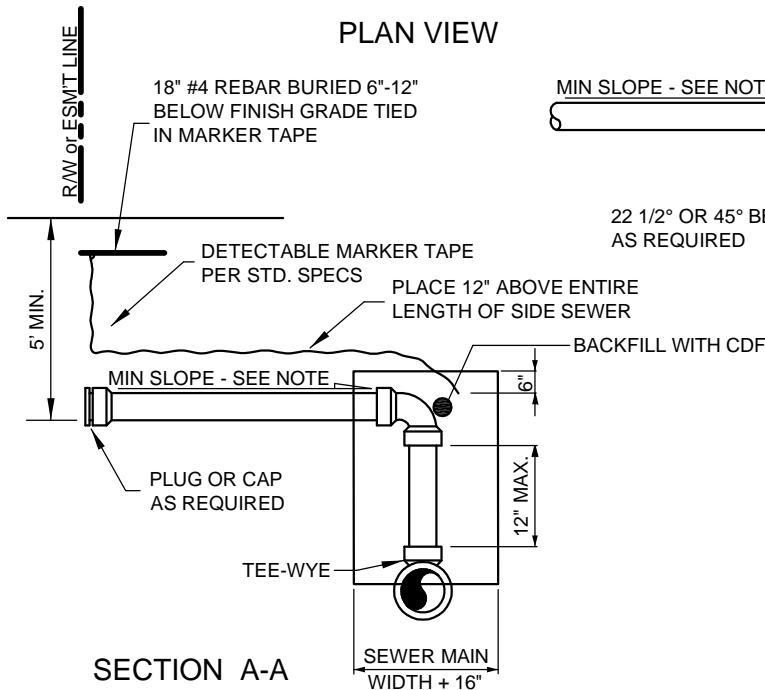


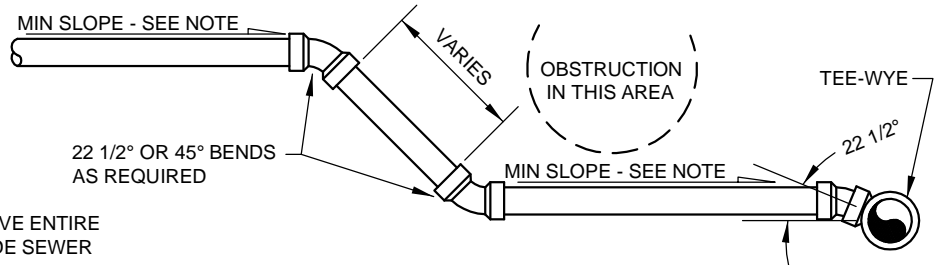
PLAN VIEW

NOTES

1. SIDE SEWER CONNECTIONS TO NEW SANITARY SEWER MAINS SHALL BE MADE WITH TEES OR WYES AS DIRECTED. ALL CONNECTIONS TO THE STUBS AND EXISTING SEWER MAINS SHALL BE MADE WITH "RIGID TYPE" COUPLERS. ANY DEVIATIONS FROM THIS SHALL BE APPROVED BY THE CITY ENGINEER PRIOR TO USE.
2. WHERE DEPTH IS INSUFFICIENT TO ALLOW CONNECTION AS SHOWN, CONNECT SERVICE AS DIRECTED BY ENGINEER.
3. ALL SIDE SEWER MATERIALS SHALL BE PVC SEWER PIPE CONFORMING TO THE REQUIREMENTS OF SECTION 7-18.2 OF THE STANDARD SPECIFICATIONS.
4. TERMINATE SIDE SEWER AT R/W LINE UNLESS OTHERWISE DIRECTED BY THE ENGINEER OR OTHERWISE ON PLANS.
5. MINIMUM SLOPES ARE AS FOLLOWS:
4" DIA. PIPE = 0.02 ft/ft
6. BACKFILL WITHIN THE RIGHT OF WAY SHALL BE CONTROLLED DENSITY FILL AROUND THE VERTICAL PORTION AS SHOWN IN SECTION A-A. THE REMAINDER OF THE BACKFILL SHALL BE CRUSHED SURFACING TOP COURSE FULL DEPTH AS DIRECTED BY THE ENGINEER.
7. BACKFLOW PREVENTER REQUIRED ON ALL CONNECTIONS



SECTION A-A



CONNECTION AT OBSTRUCTION

